

LOCKSET

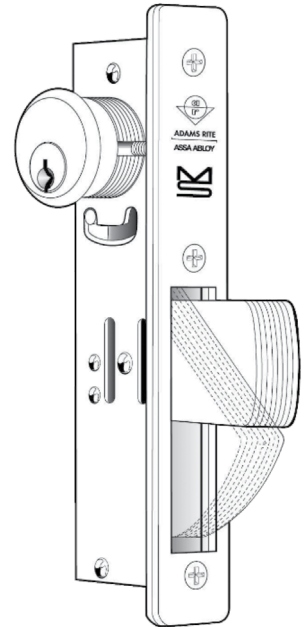
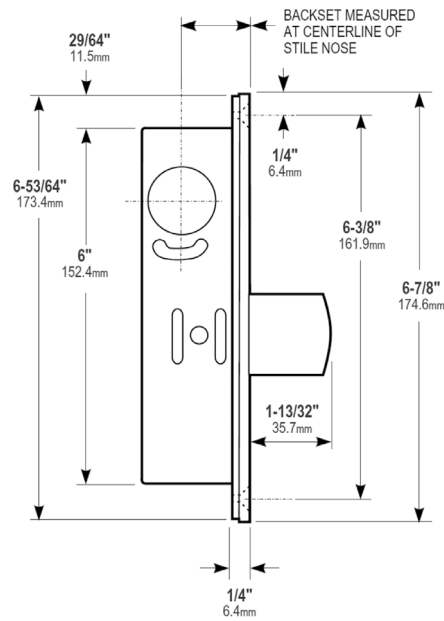
PC
350
ARCHITECTURAL
WALLS

Key Features:

- Adamsrite MS180 Deadbolt Lockset
- Provides High Level of Security
- Cylinder can be keyed to base building
- Thumb turn on Interior, Cylinder on Exterior
- Swing and Sliding Options

Key Benefits:

- Thumb turn can be colour matched to frame
- Works with Narrow Profile doors
- Maintenance Free



For more information please contact your PC350 Representative.

130 Nolan Court, Markham, ON L3R 2V7
T: 905.475.6022
E: info@pc350.com

BEAUTIFUL. ARCHITECTURAL. GLASS WALLS.

PC350.COM