

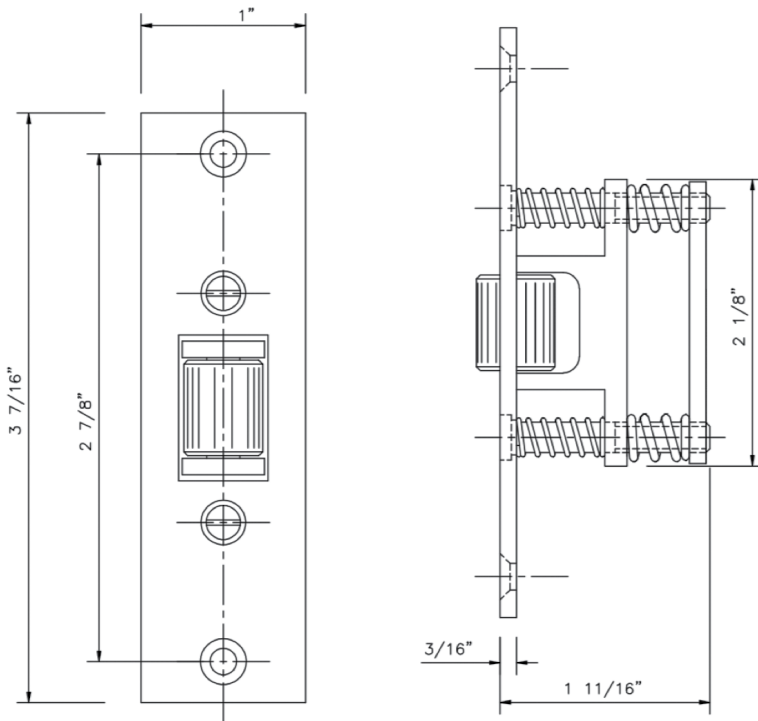
ROLLER CATCH

Key Features:

- Passive Hardware does not require action
- Adjustable to suit building air pressure
- Works in conjunction with PC350 Door Pull & Lockset
- Stainless Steel Finish

Key Benefits:

- Positive Retention keeps door in position
- Does not require bulky over-head closers
- Visually Discrete



For more information please contact your PC350 Representative.

130 Nolan Court, Markham, ON L3R 2V7
T: 905.475.6022
E: info@pc350.com