

## SLIDING DOOR LOCKSET

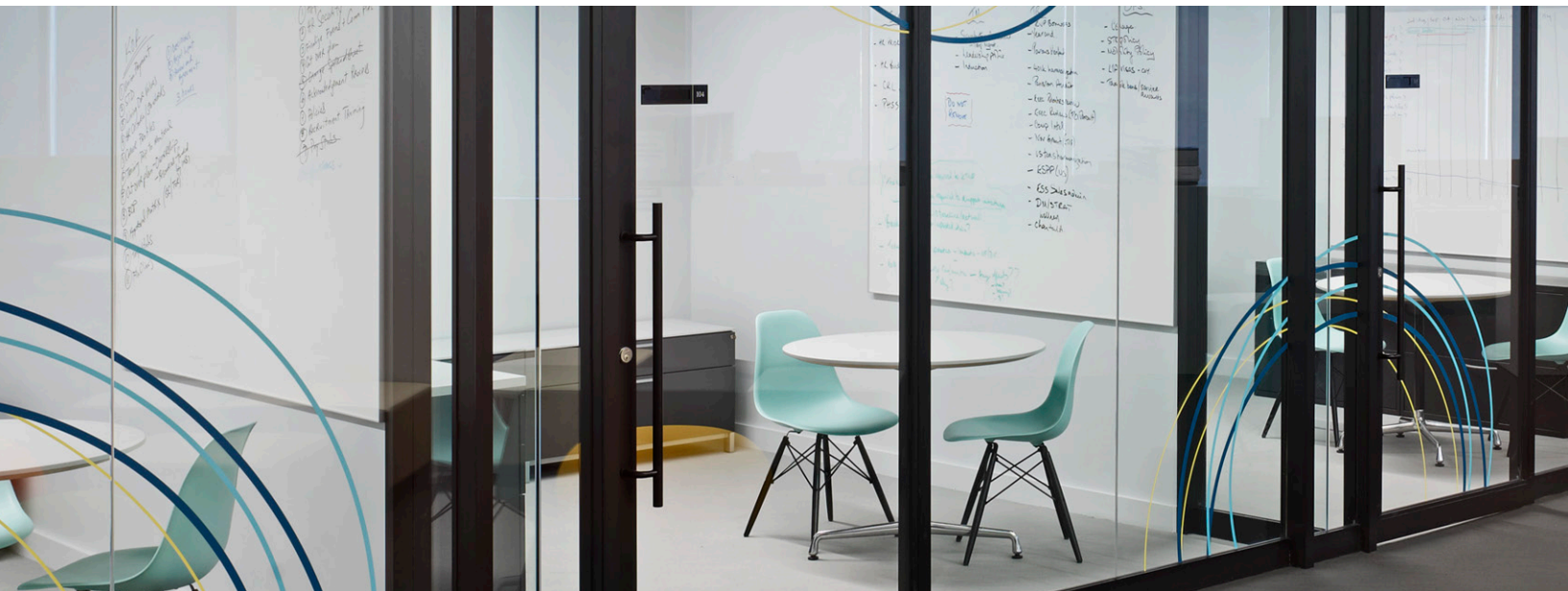
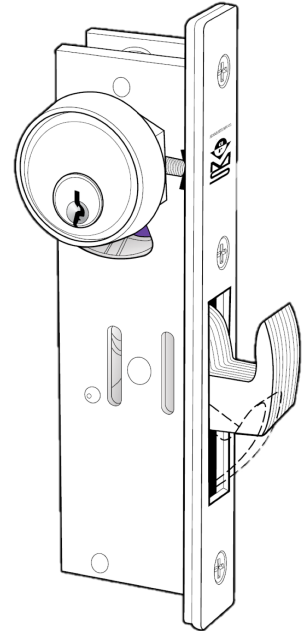
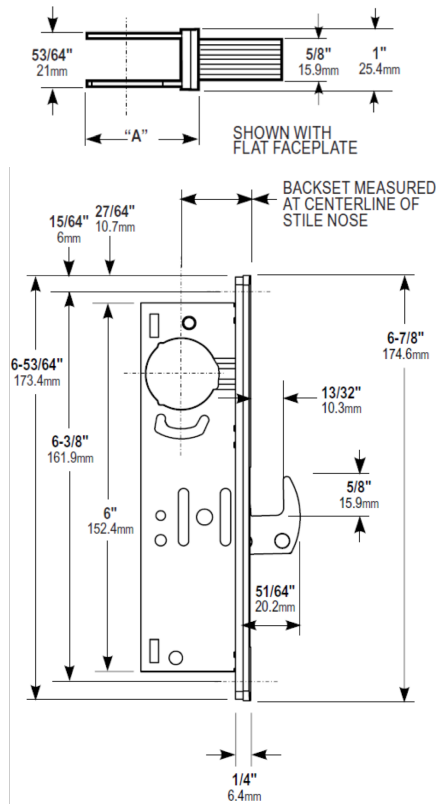
PC  
350  
ARCHITECTURAL  
WALLS

### Key Features:

- Adamsrite MS1850S-050 Deadlock
- Provides a High Level of Security
- Cylinder can be keyed to base building
- Thumb turn on Interior, Cylinder on Exterior

### Key Benefits:

- Thumb turn can be colour matched to frame
- Works with Narrow Profile doors
- Maintenance Free



For more information please contact your PC350 Representative.

130 Nolan Court, Markham, ON L3R 2V7  
T: 905.475.6022  
E: info@pc350.com