

GLASS DOORS

SLIDING DOOR

Key Features:

- Soft Open / Close Mechanism
- Custom Sized Doors
- Trackless Door
- Standard Hardware – 30" Door Pull
- Double Door Accommodation
- Accepts 1/4", 3/8" or 1" Sealed Glass
- Variety of finishes available
- Low Profile Option
- Synchro Double Door Option
- Oversized Doors – Contact PC350 for sizing
- Colour matched Door Pulls on request

Key Benefits:

- Light and easy to operate
- Slider mechanism can accept COM Doors
- Accepts pull bars up to full height
- Sleek modern design
- Defines space while providing privacy
- Supports accessibility
- 7 Year warranty

For more information please contact your PC350 Representative.

130 Nolan Court,
Markham, ON L3R 2V7
T: 905.475.6022
E: info@pc350.com

PC
350
ARCHITECTURAL
WALLS



SLIDING DOOR

Hardware below represents PC350 typical, however does not represent the extent of all compatible hardware. Please contact your PC350 representative to verify compatibility of any hardware not shown.

Hardware	MFG	Model	Description
DOOR PULLS	PC350	PC350-303-24*	24" OVERALL, 18" CTC, OFFSET PULL WITH FLAT ENDS. STAINLESS STEEL 1" DIA
	PC350	PC350-303-30*	30" OVERALL, 24" CTC, OFFSET PULL WITH FLAT ENDS. STAINLESS STEEL 1" DIA
	PC350	PC350-303-36*	36" OVERALL, 30" CTC, OFFSET PULL WITH FLAT ENDS. STAINLESS STEEL 1" DIA
	PC350	PC350-303-48*	48" OVERALL, 36" CTC, OFFSET PULL WITH FLAT ENDS. STAINLESS STEEL 1" DIA
	PC350	PC350-303-72*	72" OVERALL, 48" CTC, OFFSET PULL WITH FLAT ENDS. STAINLESS STEEL 1" DIA
LOCK	ADAMS-RITE, S+I BY PC350	MS-1850S-350-628	1 1/8" BACKSET SHORT-THROW DEADBOLT LOCK, 5 PIN CYLINDER, KEY & THUMBTURN
SLIDING DOOR MECHANISM	PC350	80P CLASSIC	SOFT CLOSE MECHANISM FOR SMALLER LIGHT DUTY DOORS
	PC350	120P HEAVY DUTY	SOFT CLOSE MECHANISM FOR OVERSIZED HEAVY DUTY DOORS

*For further information please review PC350 Door Pull Hardware cut sheet, available on request

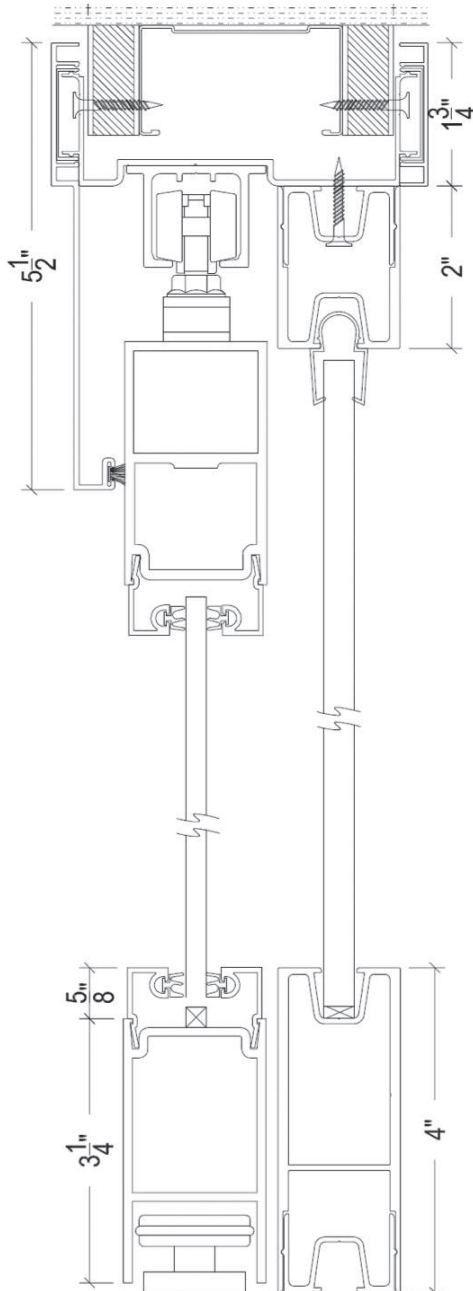
For more information please contact your PC350 Representative.

130 Nolan Court,
Markham, ON L3R 2V7
T: 905.475.6022
E: info@pc350.com

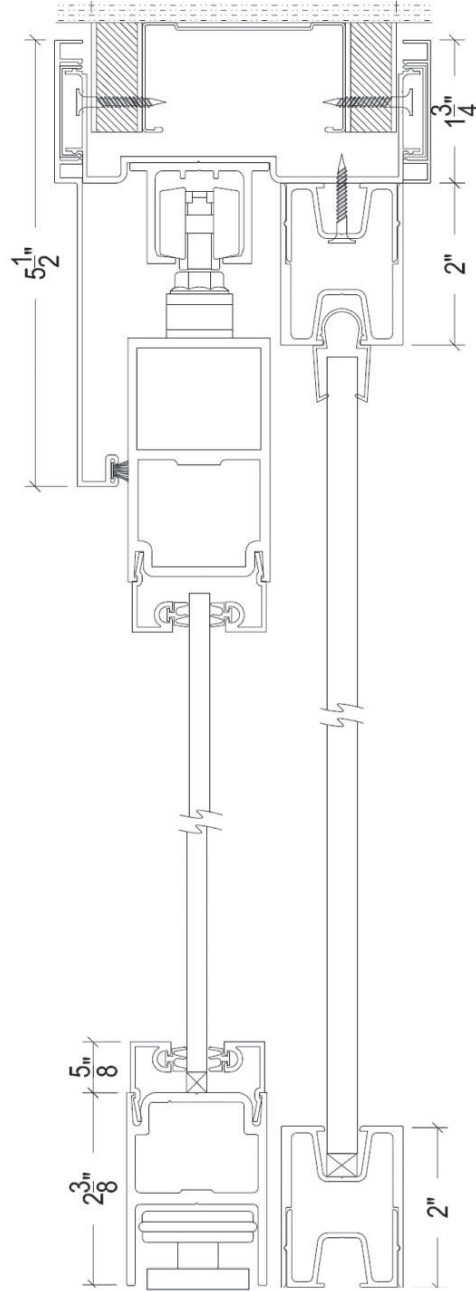
SLIDING DOOR VERTICAL SECTIONS

PC
350
ARCHITECTURAL
WALLS

REGULAR

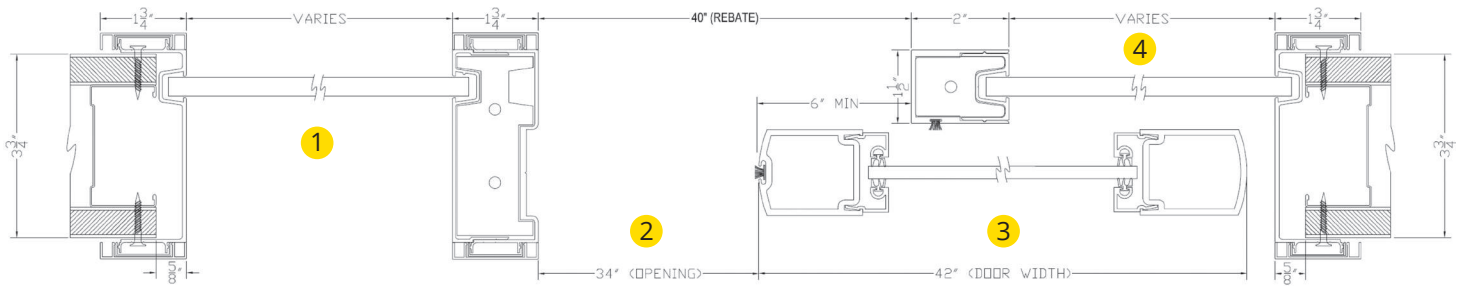


LOW PROFILE



SLIDING DOOR HORIZONTAL SECTION

PC
350
ARCHITECTURAL
WALLS



- 1 Strike side Sidelight dimension can assist with Barrier Free requirements
- 2 Walkthrough opening dimension to suit design requirements
- 3 Oversized Sliding door with Soft Close Mechanism
- 4 Sidelight glazing can be 1/4" (6mm), 3/8" (10mm) or 1/2" (12.7mm)



For more information please contact your
PC350 Representative.

130 Nolan Court,
Markham, ON L3R 2V7
T: 905.475.6022
E: info@pc350.com