

HARDWARE

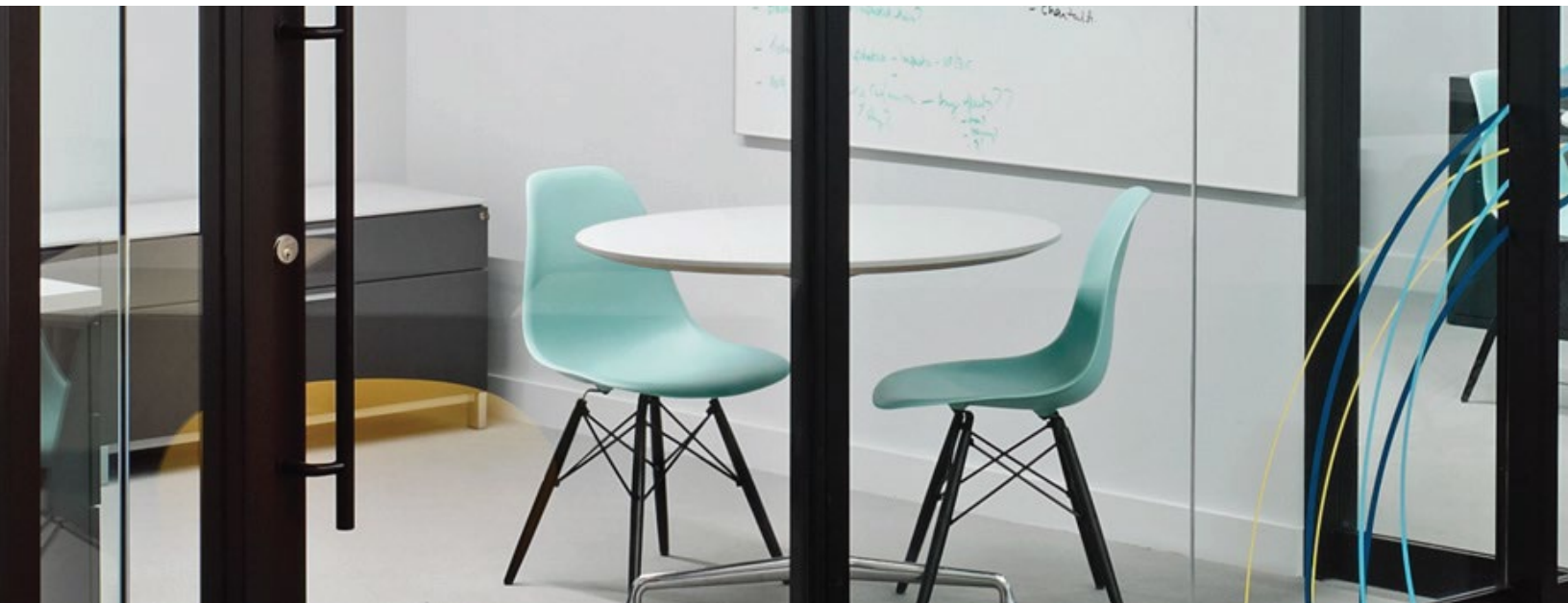
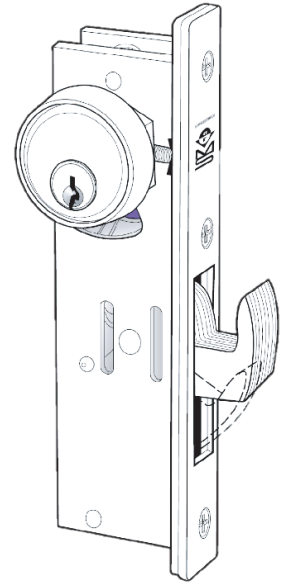
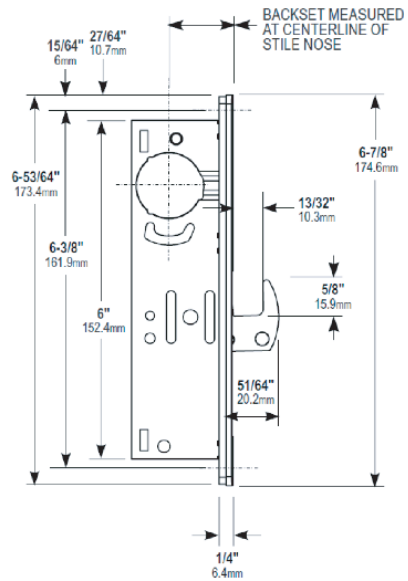
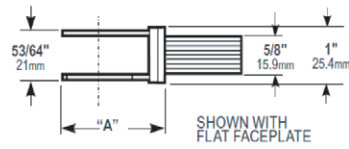
SLIDING DOOR LOCKSET

KEY FEATURES:

- Hookbolt lockset
- Provides a high level of security
- Cylinder can be keyed to base building
- Thumb turn on interior, cylinder on exterior

KEY BENEFITS:

- Thumb turn can be colour matched to frame
- Works with narrow profile doors
- Maintenance free



PC350
WE CREATE INSPIRED WORKSPACES