



**PC350**  
WE CREATE INSPIRED WORKSPACES

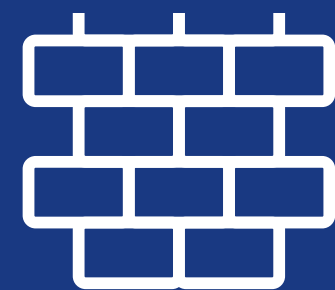
# CUMULUS

## SPECIFICATION SHEET

A next-generation wall system engineered for high performance spaces.  
Providing custom wall solutions in a wide range of finishes and panel styles.



HYBRID



PRIVATE



SEVERAL  
FINISHES



FIRE RATING



SOUND  
INSULATION

# SPECIFICATIONS

## CREATING SPACE WITHIN SPACE

CUMULUS is a sophisticated wall system engineered for high-performance environments, offering bespoke configurations that seamlessly adapt to diverse architectural needs. By blending functional agility with precision design, it allows you to transform open areas into multi-functional zones using a flexible system of sliding panels and configurable tracks.

Designed for both elegance and quiet, CUMULUS provides exceptional acoustic privacy through its advanced panel construction. With a top-hung track system that eliminates the need for floor guides, it offers a clean, minimalist aesthetic that maintains the integrity of your floor space while enabling rapid, effortless reconfiguration.

OPERATION	DOOR TYPE	SOUND TRANSMISSION CLASS
<ul style="list-style-type: none"><li>• Manual</li><li>• Hybrid</li><li>• Smart</li></ul>	<ul style="list-style-type: none"><li>• Pass-through panels</li><li>• Solid panels</li><li>• 11 METERS HIGH</li></ul>	42-57



# OPERATION SYSTEMS

Our wall systems combine smooth operation, secure locking, and strong acoustic performance with manual, hybrid, and smart automation options.

## MANUAL DEPLOYMENT

Panels are physically moved and locked into place using a handle or lever that secures panels for stability.

## HYBRID DEPLOYMENT

Panels positioned with minimal assistance, while an electronic locking system automatically engages panels in place.

## SMART DEPLOYMENT

An electric motor drives panels to their designated position and automatically locks and seals them.



MANUAL DEPLOYMENT

HYBRID DEPLOYMENT

SMART DEPLOYMENT

# PANEL, STACKING & TRACK PAIRING

VERSATILE FOR HIGH PERFORMANCE SPACES

SYSTEM TYPE	PAIRING	TYPICAL USE
Uni-Directional + Centre Stacking & Main Stacking Systems	Standard panels, telescopic panels, inset passdoors	Simple linear runs and one-direction parking
Multi-Directional+ Reversed Fold / Centre / Corner Wrap	All panel types, especially passdoors and curved panels	Flexible routing, Centre parking, corner conditions
Heavy Duty Multi-Directional + Advanced Multi-Path Stacking	Full height passdoors, larger panels, heavy curved systems	High load applications and large-scale openings



# TRACK SYSTEMS

Track options range from simple linear movement to reinforced multi-directional systems for demanding applications.

## UNI-DIRECTIONAL

Best suited to simple panel runs where all movement occurs in one direction along a straight track.

### MATERIAL:

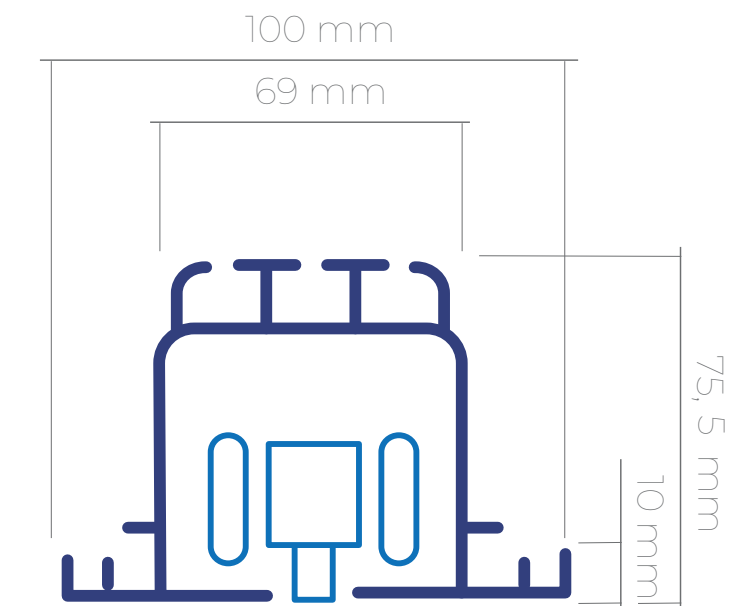
- 6063-T6 aluminum

### MOVEMENT:

- Straight linear travel

### CAPACITY:

- 358 kg per panel



## MULTI-DIRECTIONAL

Designed for flexible routing, allowing panels to travel through junctions, turns, and varied stacking points.

### MATERIAL:

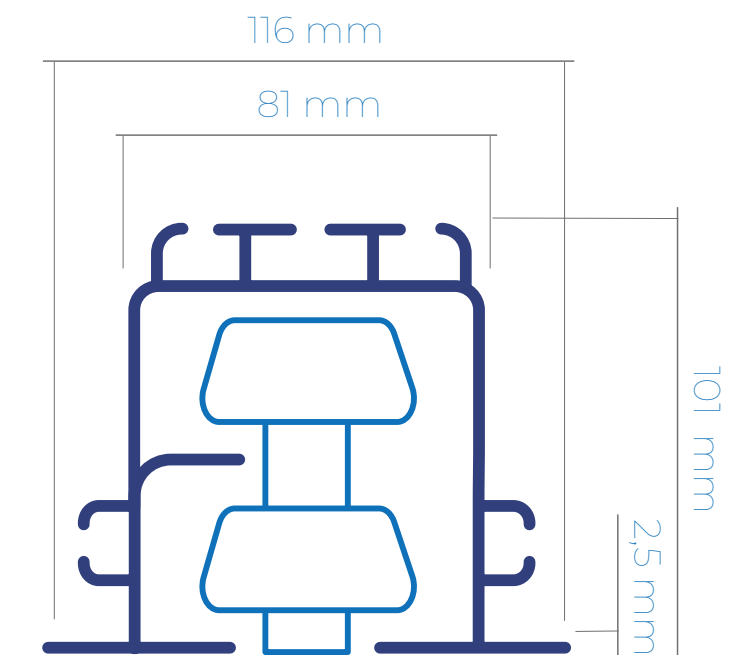
- 6063-T6 aluminum

### MOVEMENT:

- Branching multi-path travel

### CAPACITY:

- 453 kg per panel



## HEAVY DUTY MULTI-DIRECTIONAL

Built for larger and heavier panels in high-use environments while maintaining flexible multi-directional operation.

### MATERIAL:

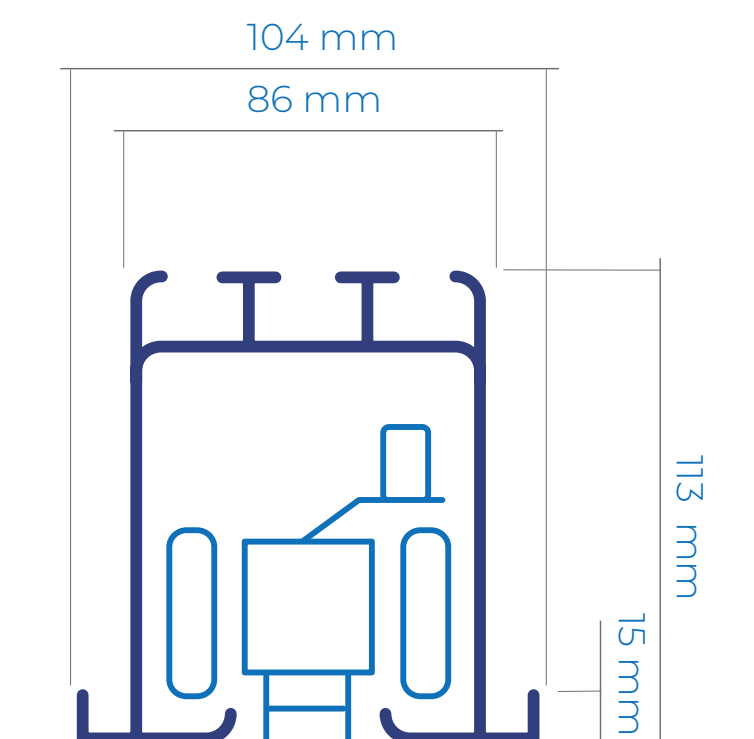
- 6063-T6 aluminum

### MOVEMENT:

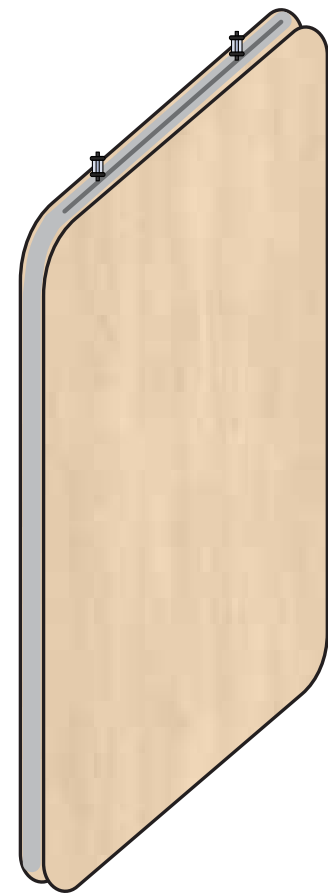
- Reinforced branching travel

### CAPACITY:

- 850 kg per panel



# PANEL SPECIFICATIONS



## STANDARD PANEL

### Thickness

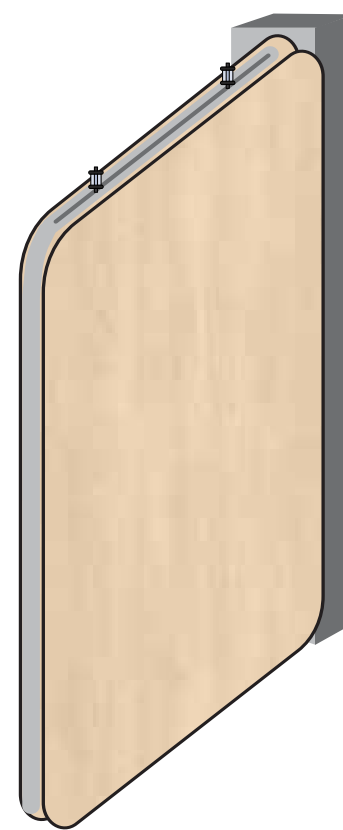
- 4.56" (116mm)
- 4.80" (122mm)
- 5.27" (134mm)

### Height (Max.)

- 433.07" (11000mm)

### Panel Width

- 31.49" - 51.18" (800mm - 1300mm)



## TELESCOPIC PANEL

### Thickness

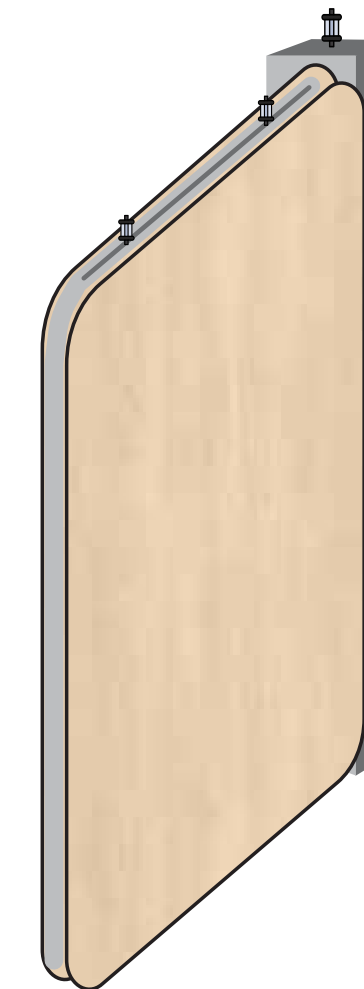
- 4.56" (116mm)
- 4.80" (122mm)
- 5.27" (134mm)

### Height (Max.)

- 433.07" (11000mm)

### Panel Width

- 31.49" - 51.18" (800mm - 1300mm)



## FIXED TELESCOPIC JAMB

### Thickness

- 4.56" (116mm)
- 4.80" (122mm)
- 5.27" (134mm)

### Height (Max.)

- 433.07" (11000mm)

### Panel Width

- > 7.87" (200mm)

# PASSDOOR SPECIFICATIONS



## SINGLE INSET PASSDOOR

### Thickness

- 4.56" (116mm)
- 4.80" (122mm)
- 5.27" (134mm)

### Height (Max.)

- 433.07" (11000mm)

### Opening Angle

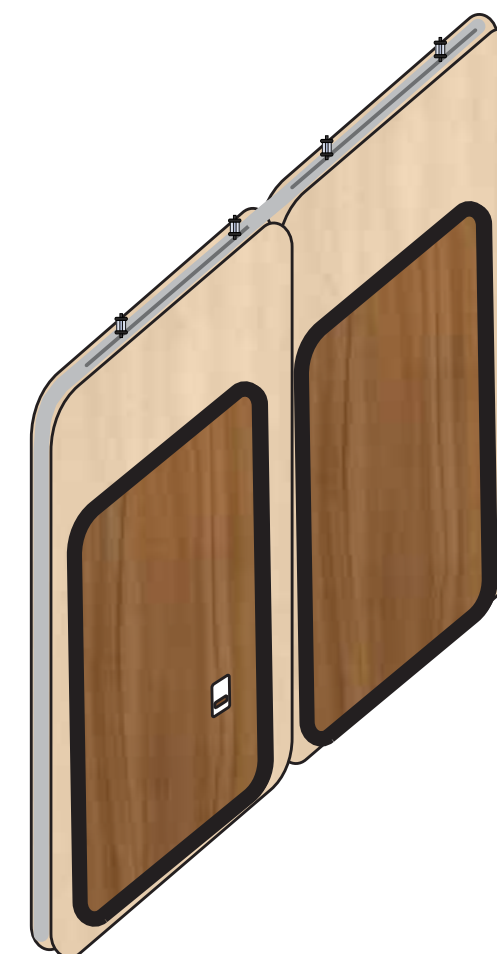
- 0° - 180°

### Opening Width

- 30.11" (765mm)
- 32.08" (815mm)
- 34.05" (865mm)

### Width

- 47.24" (1200mm)
- 49.21" (1250mm)
- 51.18" (1300mm)



## DOUBLE INSET PASSDOOR

### Thickness

- 4.56" (116mm)
- 4.80" (122mm)
- 5.27" (134mm)

### Height (Max.)

- 433.07" (11000mm)

### Width

- 90.62" (2302mm)

### Opening Angle

- 0° - 180°



## FULL HEIGHT PASSDOOR

### Thickness

- 4.56" (116mm)
- 4.80" (122mm)
- 5.27" (134mm)

### Height (Max.)

- 433.07" (11000mm)

### Width

- 39.76" (1010mm)

### Opening Width

- 32.08" (815mm)

### Opening Angle

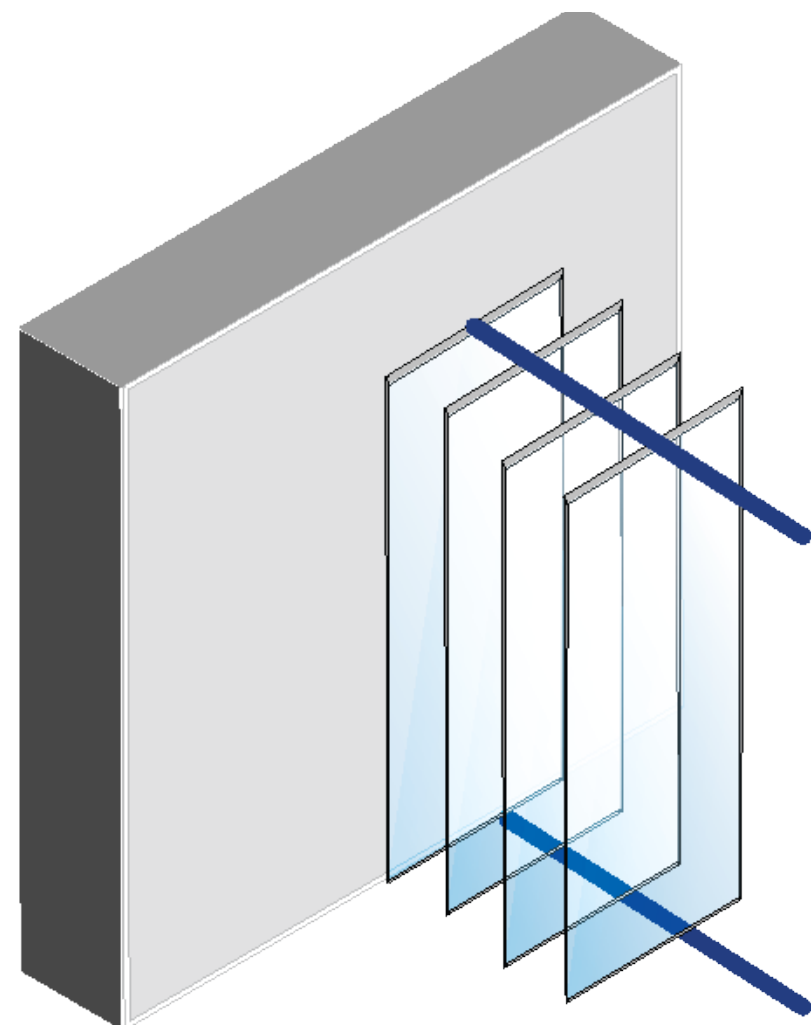
- 0° - 90°

# STACKING OPTIONS

## CENTRE STACKING SYSTEM

Panels travel inward from both sides and meet at one central storage point, creating a balanced layout, a compact stack zone, and minimal wall projection into the space.

### CONFIGURATIONS



### CENTRE FOLDING

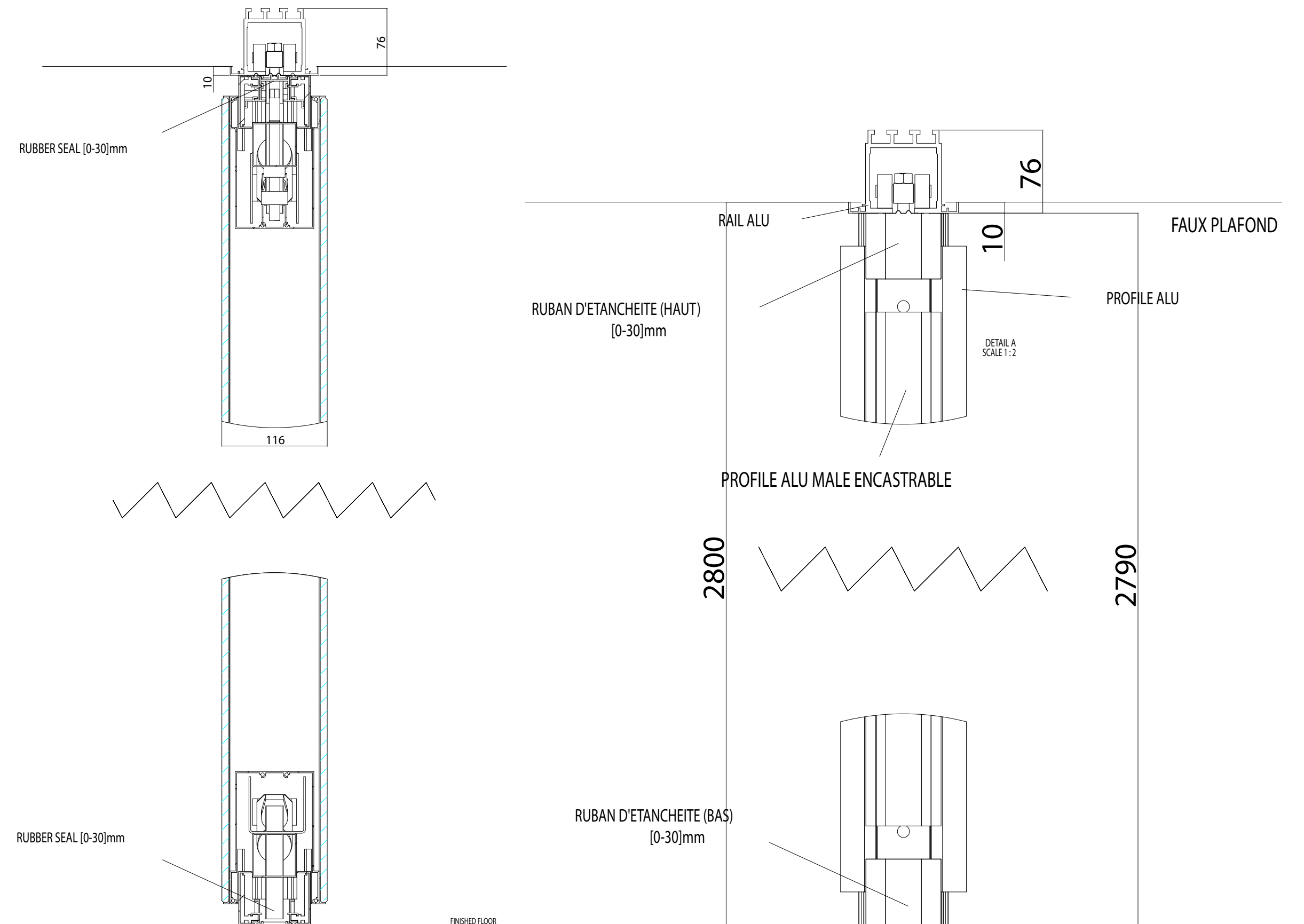
It works especially well in meeting rooms, hospitality spaces, and flexible environments where the opening must remain elegant in both the open and closed conditions. Not available for double doors and in centre fold.

TRACK TYPE	CAPACITY	PANEL OPTIONS
------------	----------	---------------

Uni-Directional

358kg/panel

Standard, Telescopic,  
Inset Passdoors

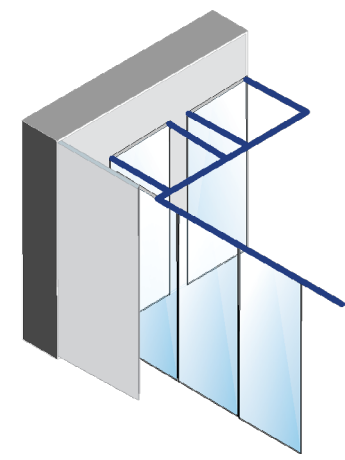


# STACKING OPTIONS

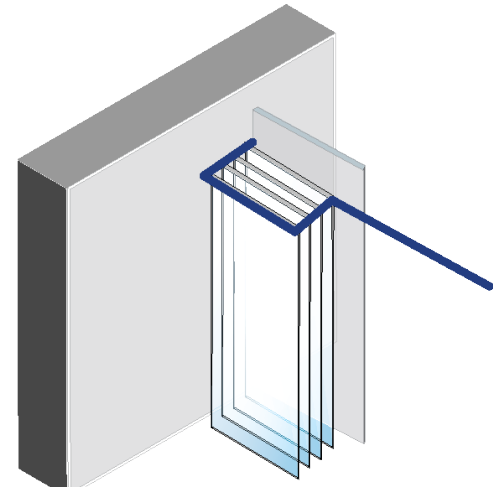
## MAIN STACKING SYSTEM

Systems allow panels to travel, fold, and park in multiple ways depending on the opening, traffic pattern, and storage location required within the space.

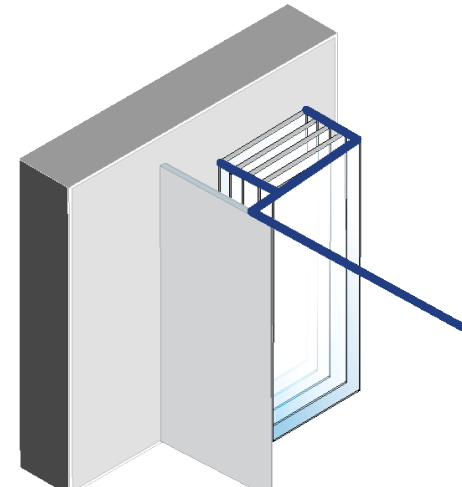
### CONFIGURATIONS



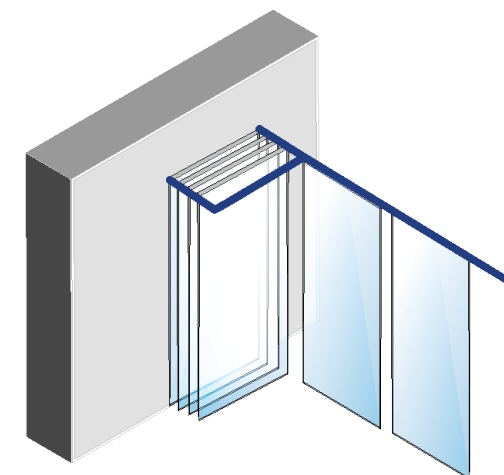
A - SIDE SLIDE STACK



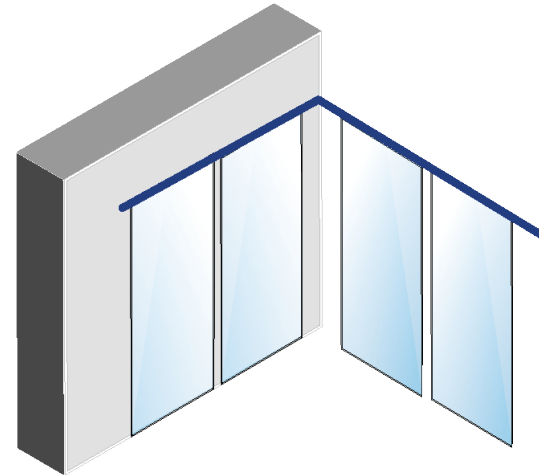
B - REVERSE STACK



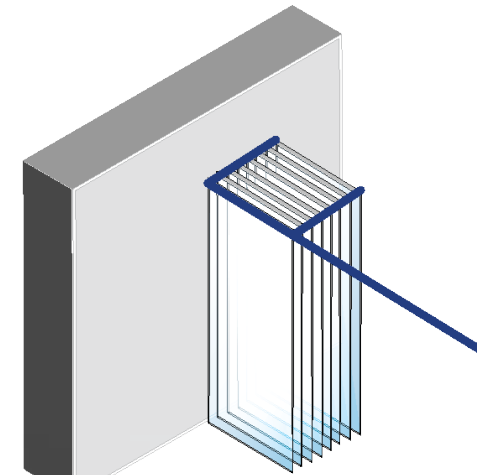
C - SINGLE STACK



D - OFFSET SIDE STACK



E - INLINE STACK



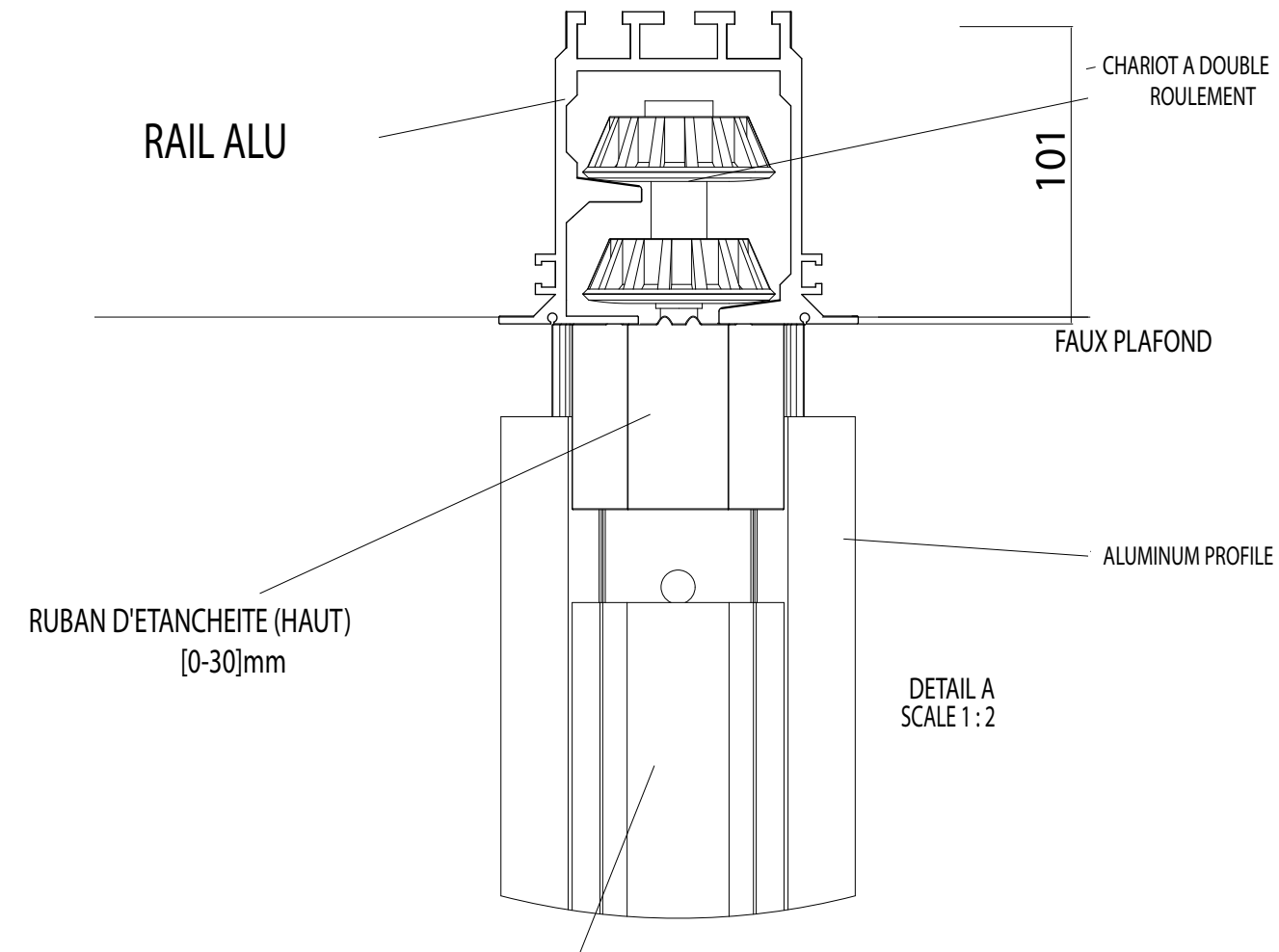
G - GEOMETRIC STACK

TRACK TYPE	CAPACITY	PANEL OPTIONS
------------	----------	---------------

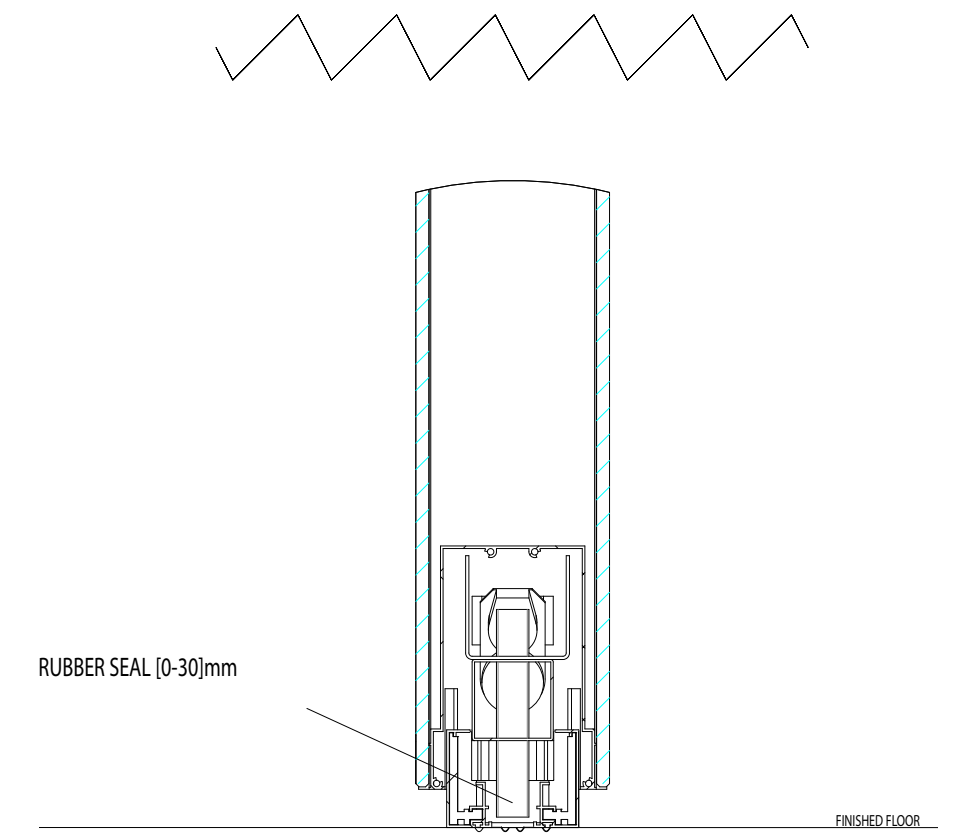
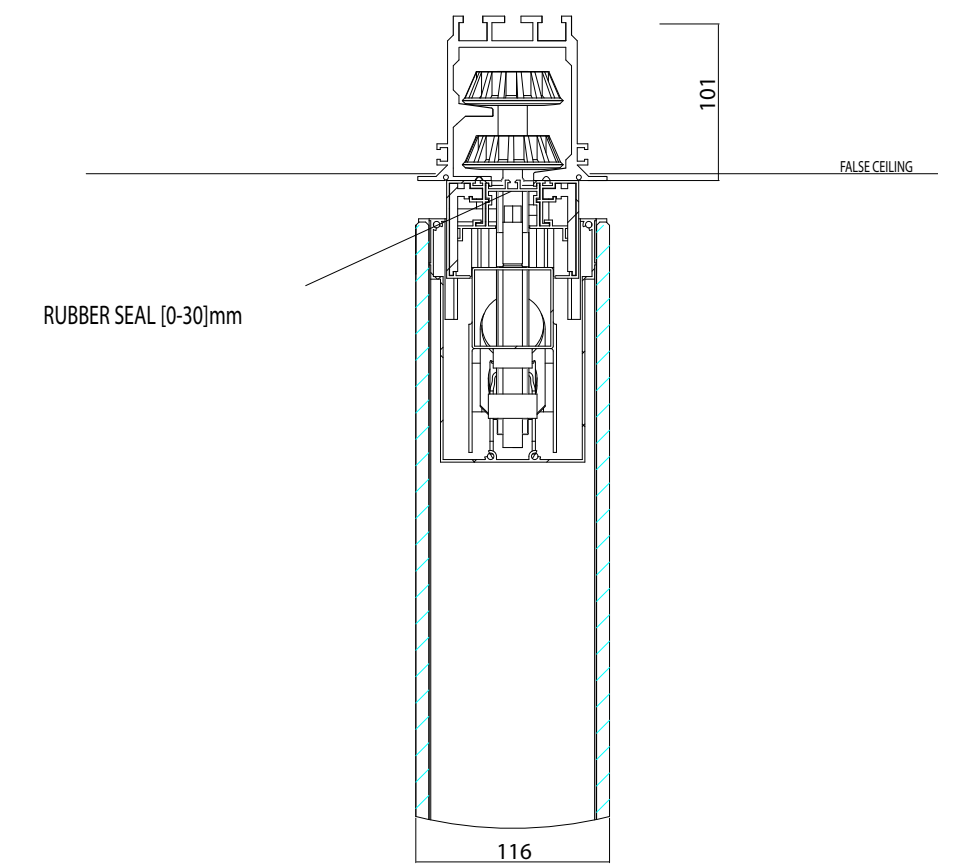
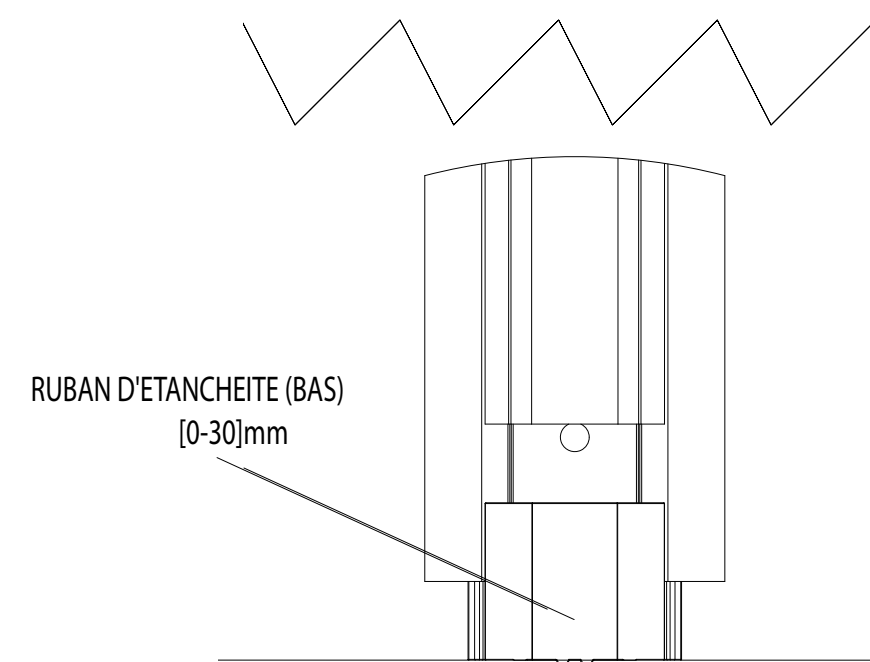
Multi-Directional

453kg/panel

All Panels



### PROFILE ALU MALE ENCASTRABLE



# DOOR HARDWARE

Durable architectural hardware solution designed for door applications, offering reliable performance, clean aesthetics, and compatibility with modern interior systems. It is engineered to support functionality, accessibility, and long-term use in high-traffic environments.

## RECESSED HANDLE

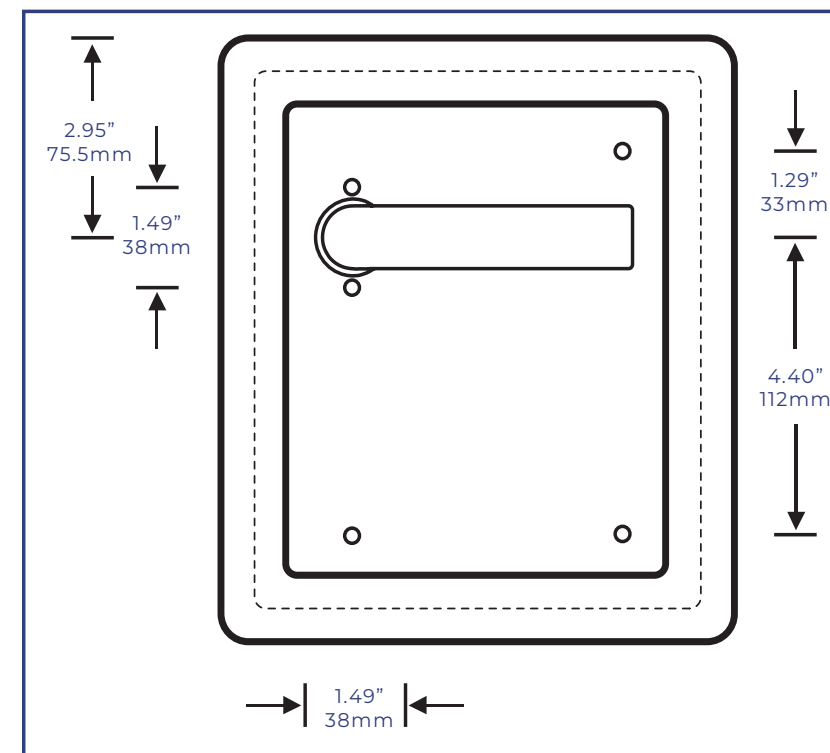
- ADA Compliant
- Standard on all CUMULUS doors.
- Stainless steel handle designed for flush surfaces.
- Can be specified for locking or non-locking versions depending on project requirements.

- Powder coat finish available upon request.

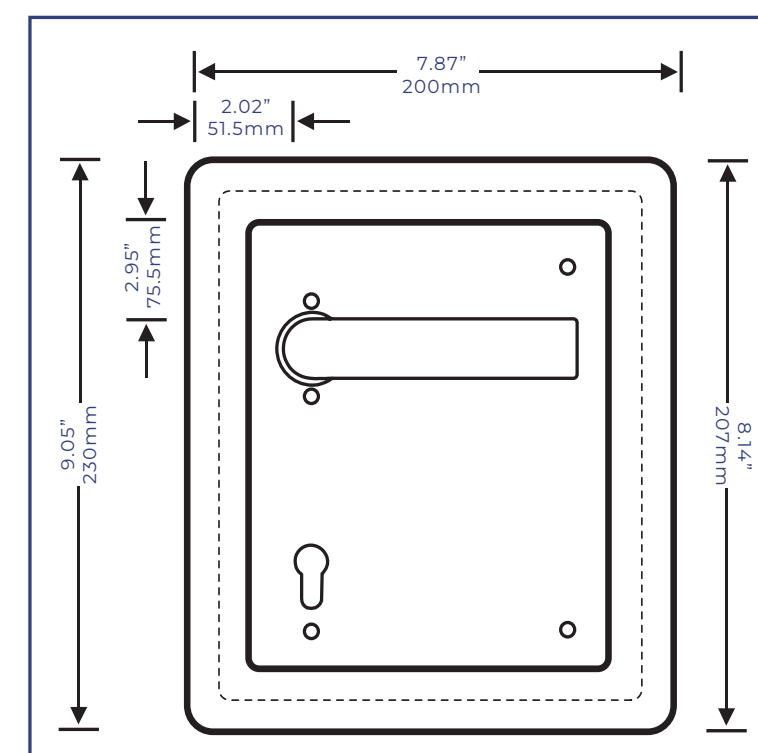
## CONCEALED HINGES

- Hinges are completely concealed when doors are closed.

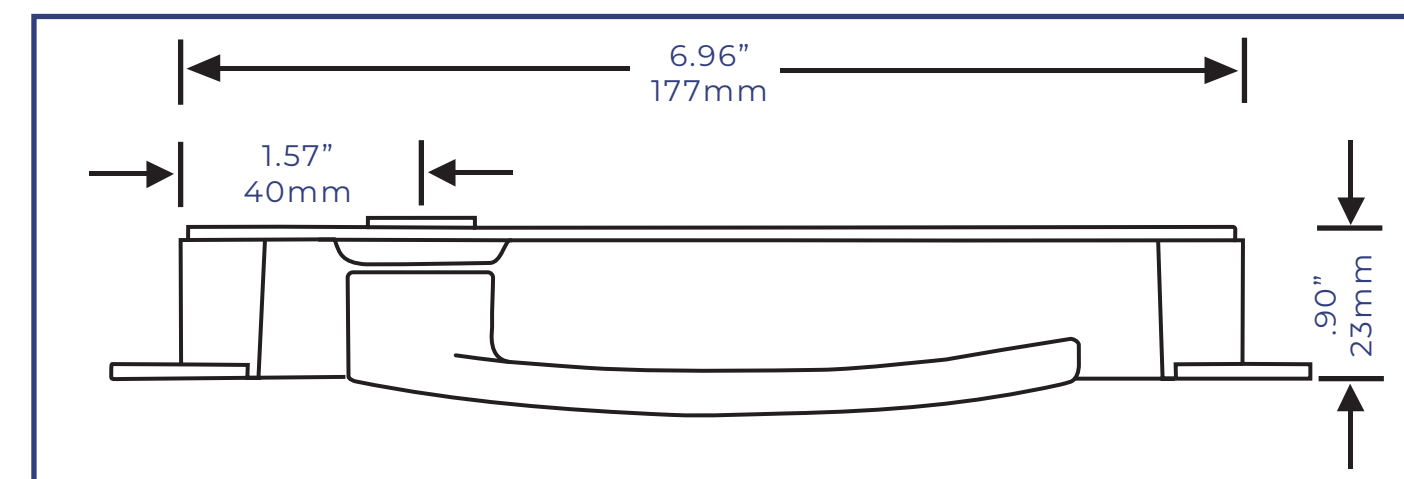
RECESSED HANDLE - NON LOCKING



RECESSED HANDLE - LOCKING



RECESSED HANDLE



# FINISHES

## MFC



U999 ST7  
Black



W980 ST7  
Platinum White



U961 ST7  
Graphite Grey



U708 ST9  
Light Grey



U156 ST9  
Sand Beige



H1277 ST9  
Light Lakeland  
Acacia



H1732 ST9  
Sand Birch



H1910 ST9  
Willow Beech



H3840 ST9  
Natural Mandal  
Maple

## HPL



Writable

## Custom RAL



Custom RAL

## Laminate



U398 PM  
Dark Berry



U335 ST9  
Rusty Red



H1715 ST12  
Parona Walnut



H1714 ST19  
Lincoln Walnut



H1307 ST19  
Brown Warmia  
Walnut



ST40  
Sand Casella  
Oak



H1385 ST40  
Natural Casella  
Oak



H1247 ST17  
Graphite  
Sheffield Acacia

## Fabric



F\_2965\_C0906



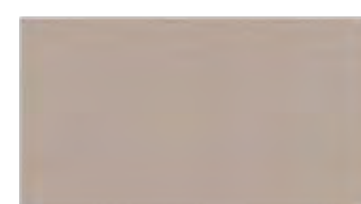
F\_2965\_C0205



F\_2965\_C0213



F\_2965\_C0124



F\_2965\_C0226



F\_2965\_C0426



F\_2965\_C0246

**NOTE:** Other profiles and custom finishes upon request.

# CUMULUS

## TECHICAL DATA CHART

### HEAD OFFICE

130 Nolan Court  
 Markham, ON L3R 2V7 Canada  
 T. 1-866-633-0233  
 E. hello@pc350.com  
 www.pc350.com

### USA

T. 1-866-633-0233  
 E. hello@pc350.com

### CARIBBEAN

T. 1-866-633-0233  
 E. hello@pc350.com

		STANDARD PANEL		FIXED TELESCOPIC JAMB		TELESCOPIC		SINGLE INSET PASSDOOR		DOUBLE INSET PASSDOOR		FULL-HEIGHT PASSDOOR	
Dimensions	Thickness in mm	116	122	116	122	116	122	116	122	116	122	116	122
	Width in mm	800 - 1300		< 200		800 - 1300		1200 / 1250 / 1300		2302		1010	
	Clear Opening Width in mm							765 / 815 / 865				815	
	Height in mm (Max.)	11000		11000		11000		11000		11000		11000	
Construction	Aluminium Profiles												
	Positive & Negative Aluminium Profiles	•		•		•		•		•		•	
Operation	Manual Deployment	•		•		•		•		•		•	
	Hybrid Deployment	•		•		•		•		•		•	
	Smart Deployment	•		•		•		•		•		•	
<b>Floor Track</b>													
Technical Features	Soundproofing to ISO 10140-2:2010*	Rw (dB)	Density (kg/m <sup>2</sup> ) 8mm	Rw (dB)	Density (kg/m <sup>2</sup> ) 8mm	Rw (dB)	Density (kg/m <sup>2</sup> ) 8mm	Rw (dB)	Density (kg/m <sup>2</sup> ) 8mm	Rw (dB)	Density (kg/m <sup>2</sup> ) 8mm	Rw (dB)	Density (kg/m <sup>2</sup> ) 8mm
		42	39	42	39	42	39	42	39	42	39	42	39
		45	40	45	40	45	40	45	40	45	40	45	40
		47	45	47	45	47	45	47	45	47	45	47	45
		50	50	50	50	50	50						
		54	55	54	55	54	55						
Door Handles	Enclosed Handle							•		•		•	
	Pull Handle												
	Extra Handle							•		•		•	
Finishes	Powder Coating	•		•		•		•		•		•	
	HPL	•		•		•		•		•		•	
	MFC	•		•		•		•		•		•	
	MDF	•		•		•		•		•		•	
	Glass												
Special Finishes	•		•		•		•		•		•		
Electrically Controlled Blinds													
Switchable Glass													
Frosted Glass													

\*Value obtained in a laboratory test in a controlled environment, in accordance with ISO 10140-2:2010 & ISO 717-1:2020.